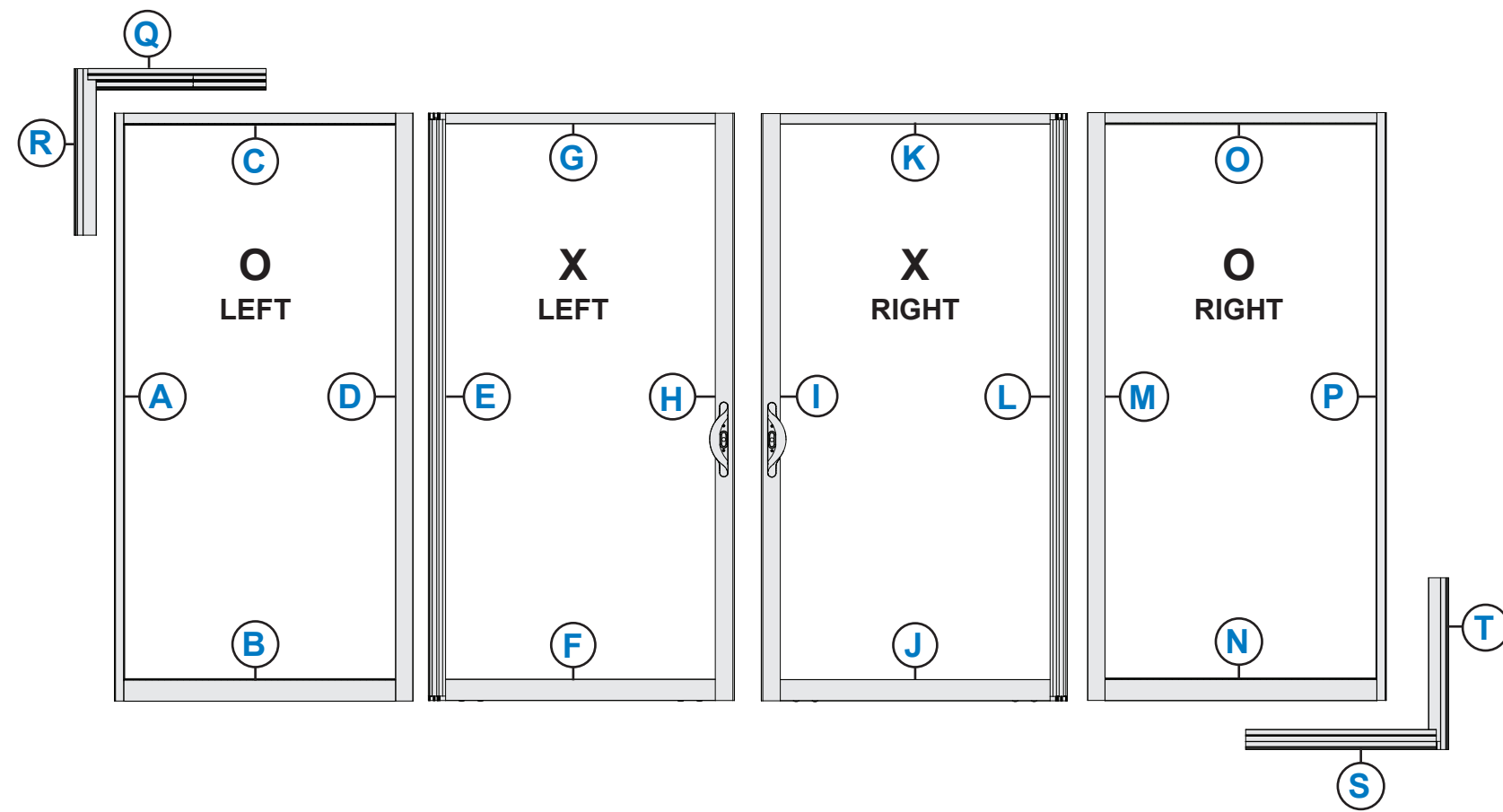
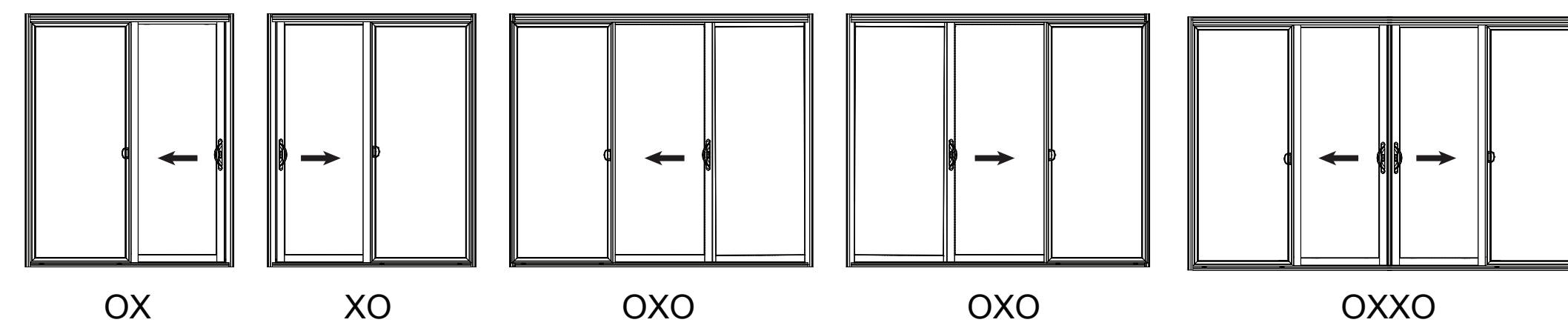
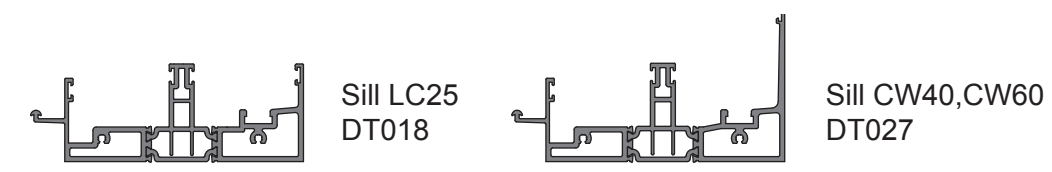


3000 SERIES INSPECTION CHECKLIST

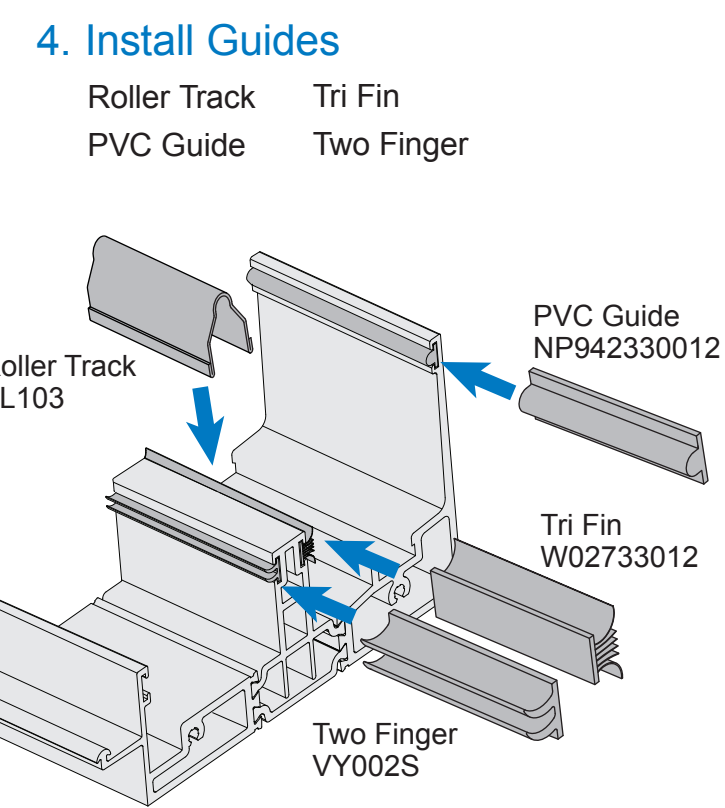
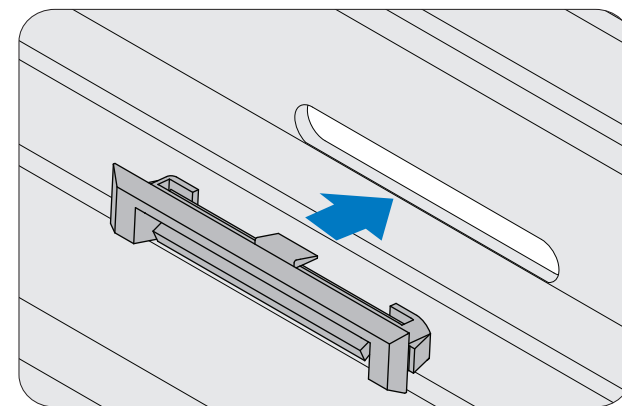


- A** O-Left Fixed Stile
- B** O-Fixed Bottom Rail
- C** O-Left Fixed Top Rail
- D** O-Left Fixed Interlock
- E** X-Left Vent Interlock
- F** X-Vent Bottom Rail
- G** X-Left Top Rail
- H** X-Left Lead Stile
- I** X-Right Lead Stile
- J** X-Vent Bottom Rail
- K** X-Right Top Rail
- L** X-Right Vent Interlock
- M** O-Right Fixed Interlock
- N** O-Fixed Bottom Rail
- O** O-Right Top Rail
- P** O-Right Fixed Stile
- Q** Frame Head
- R** Left Jamb
- S** Sill
- T** Right Jamb

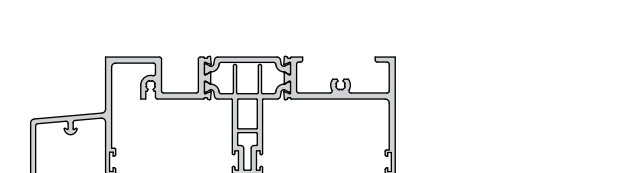
Sill DT018, DT027



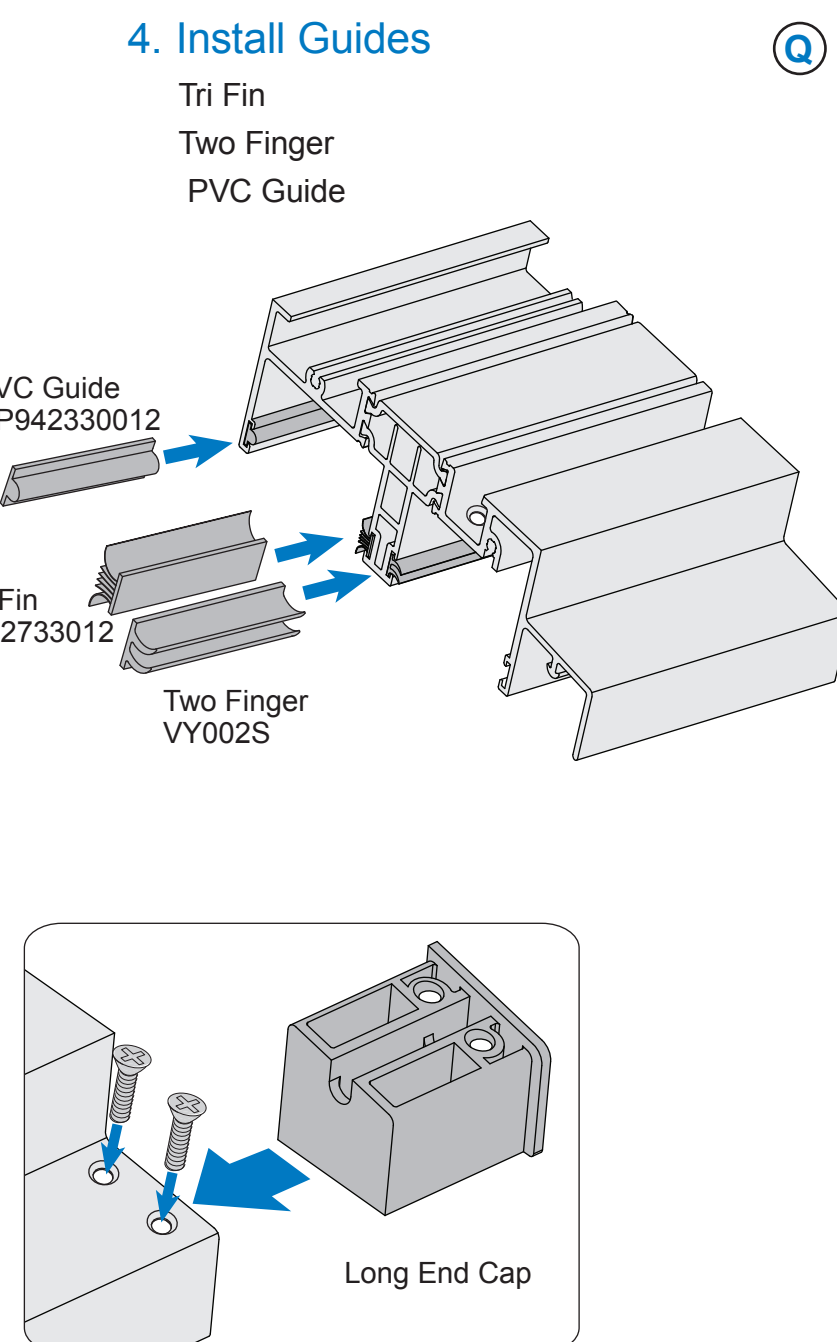
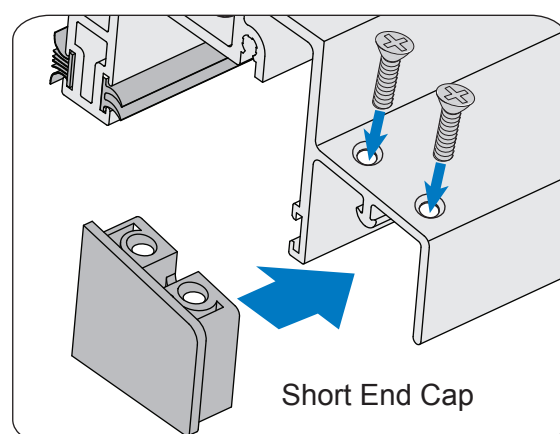
1. Check Length
2. Check Finish
Correct Color
NO Scratches
3. Install Weep Hole Covers
Snap into place



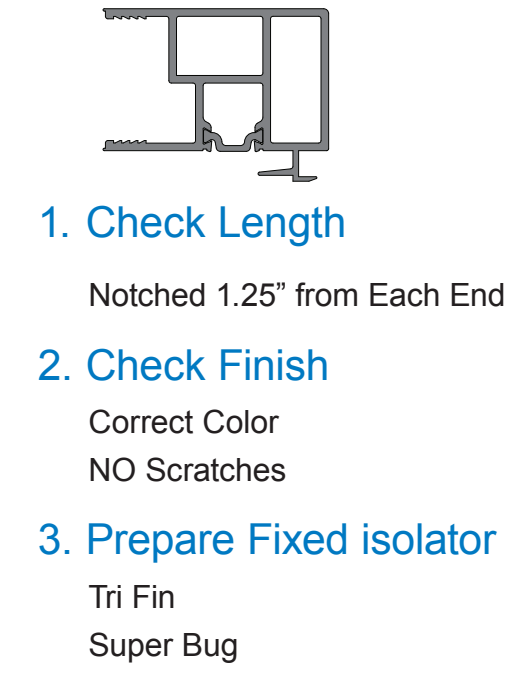
Head DT017



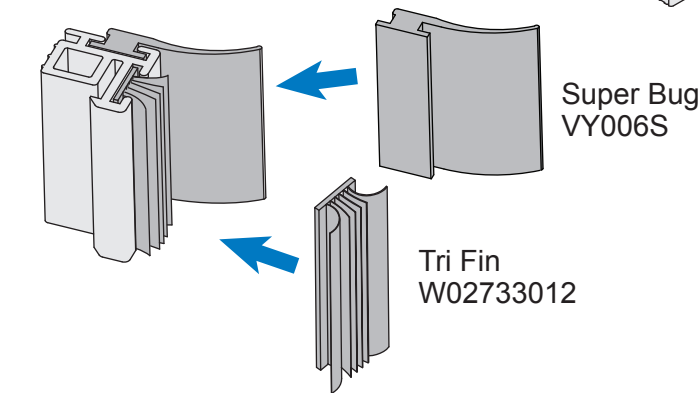
1. Check Length
2. Check Finish
Correct Color
NO Scratches
3. Install End Caps
Long End Cap with Mounting Holes:
Left (HS3SCEC2) or Right (HS3SCEC1)
Short End Cap:
Left (HS3SCEC4) or Right (HS3SCEC3)



Fixed Interlock DT021



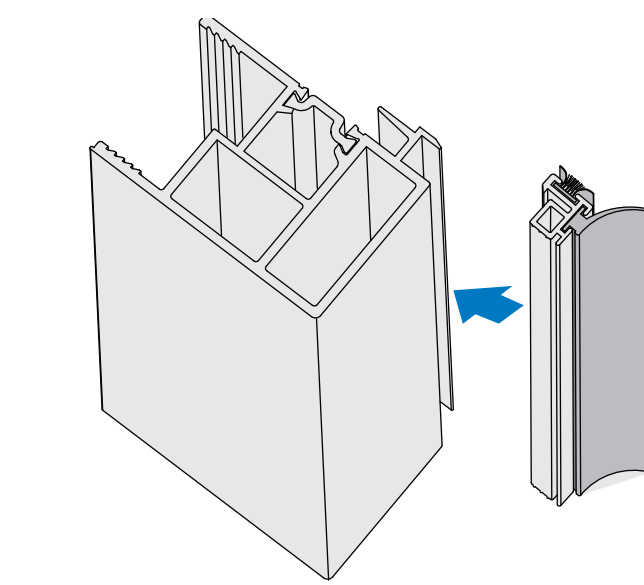
1. Check Length
Notched 1.25" from Each End
2. Check Finish
Correct Color
NO Scratches
3. Prepare Fixed Isolator
Tri Fin
Super Bug



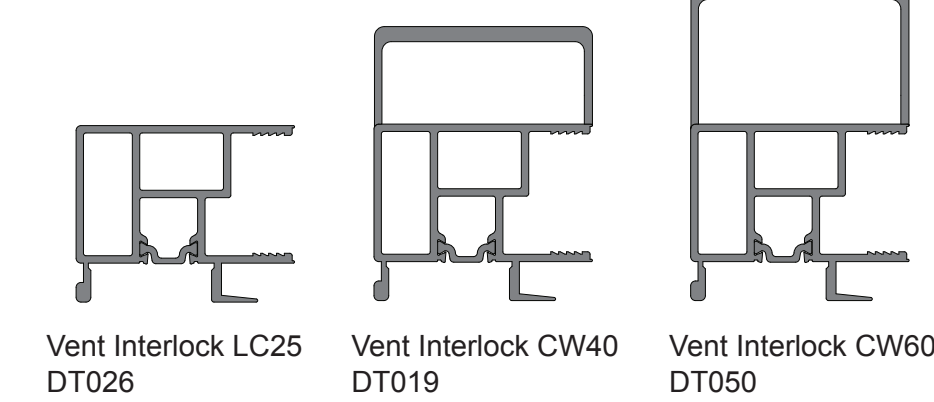
Fixed Isolator VY003



4. Install Fixed Isolator

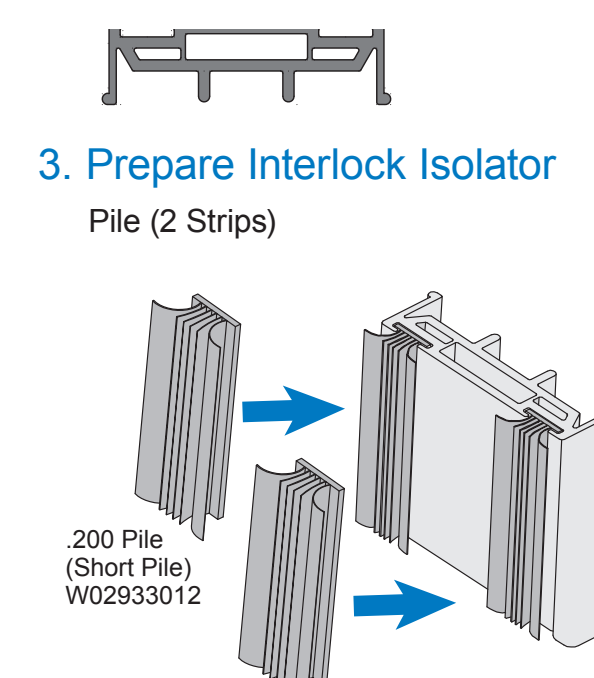


Vent Interlock DT021

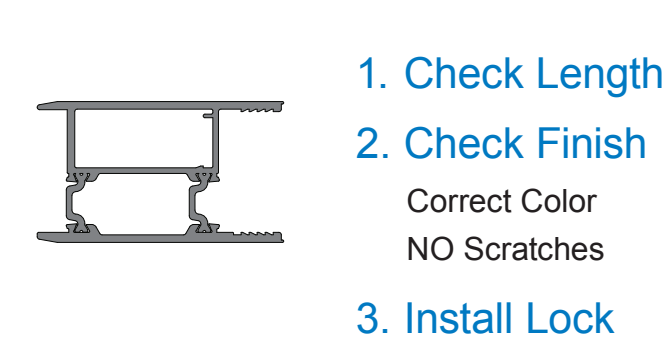


1. Check Length
Notched 1.25" from Each End
2. Check Finish
Correct Color
NO Scratches
3. Prepare Interlock Isolator
Pile (2 Strips)
4. Install Interlock Isolator
Align with notched ends.
Snap into place.

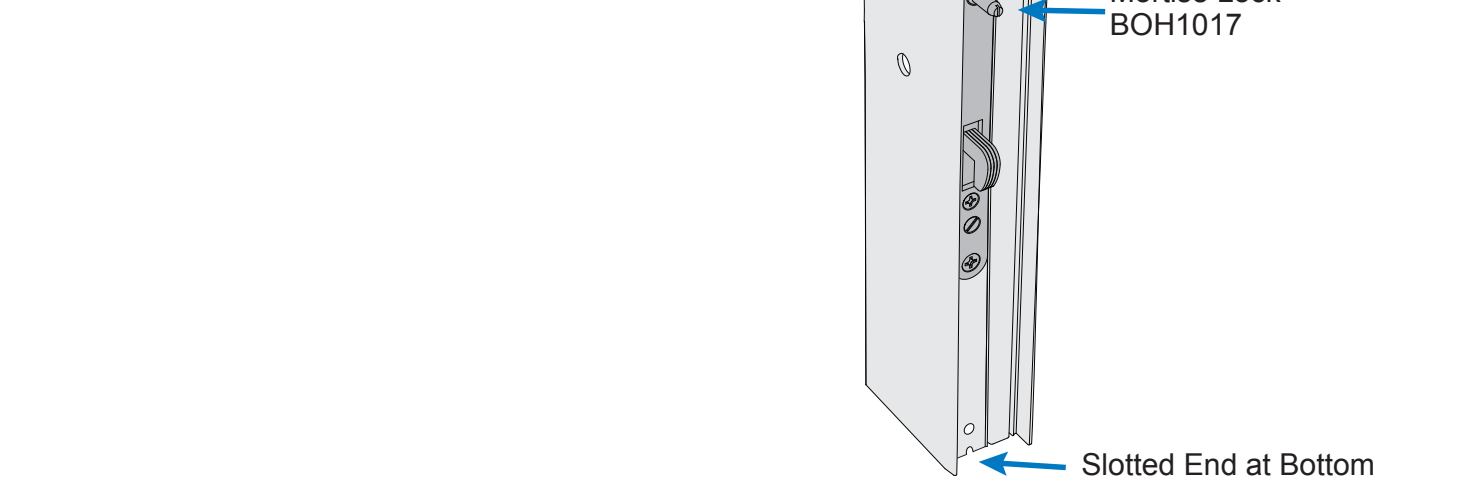
Interlock Isolator VY004R



Lead Style DT009

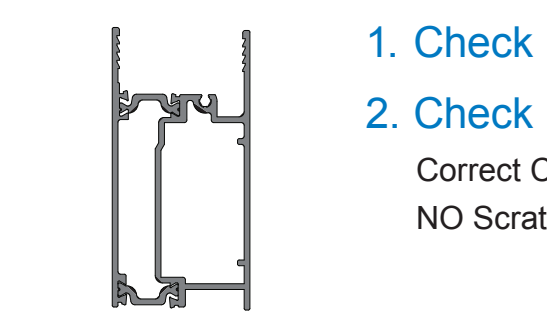


1. Check Length
2. Check Finish
Correct Color
NO Scratches
3. Install Lock

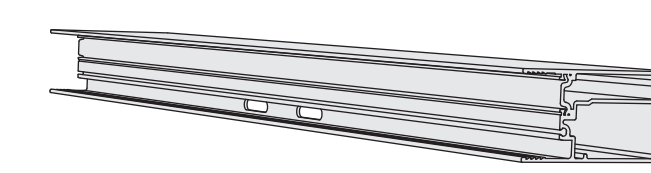


LC25 Fixed Bottom Rail DT023

Bottom Rail LC25 (1-13/16" Rollers)

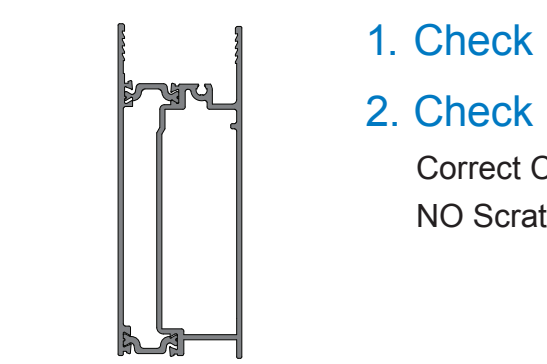


1. Check Length
2. Check Finish
Correct Color
NO Scratches

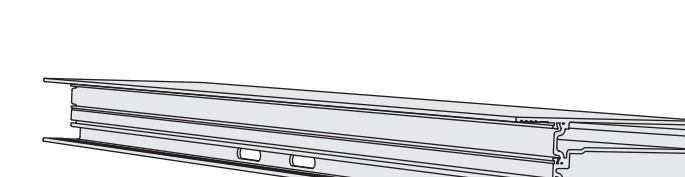


CW40, CW60 Fixed Bottom Rail DT051

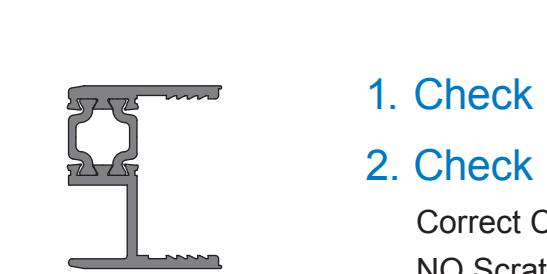
Bottom Rail CW40, CW60 (3" Rollers)



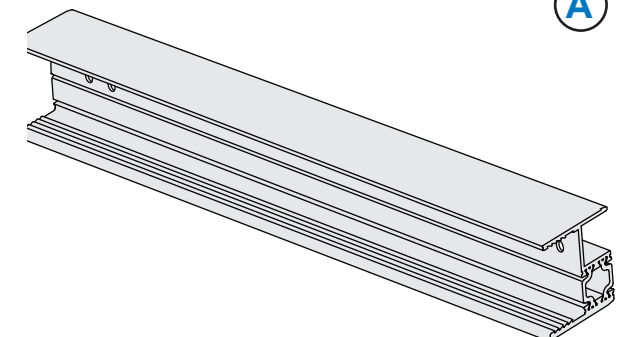
1. Check Length
2. Check Finish
Correct Color
NO Scratches



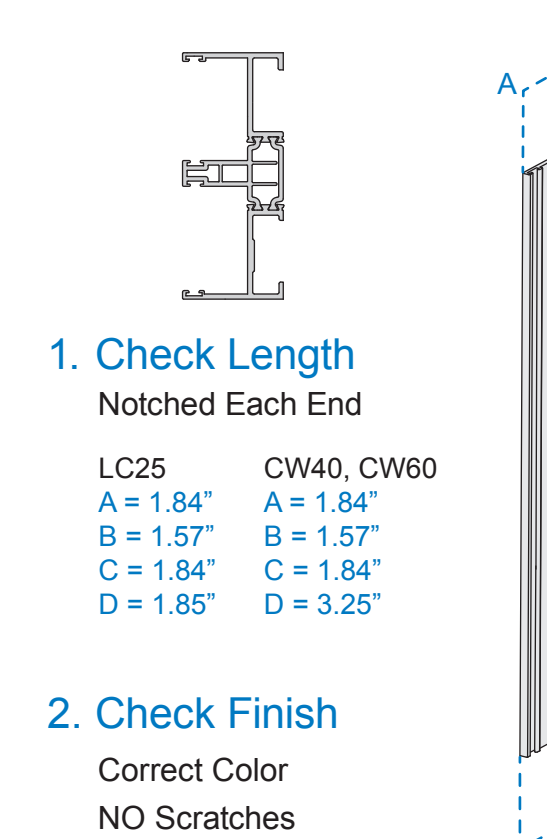
Fixed Style DT022



1. Check Length
2. Check Finish
Correct Color
NO Scratches

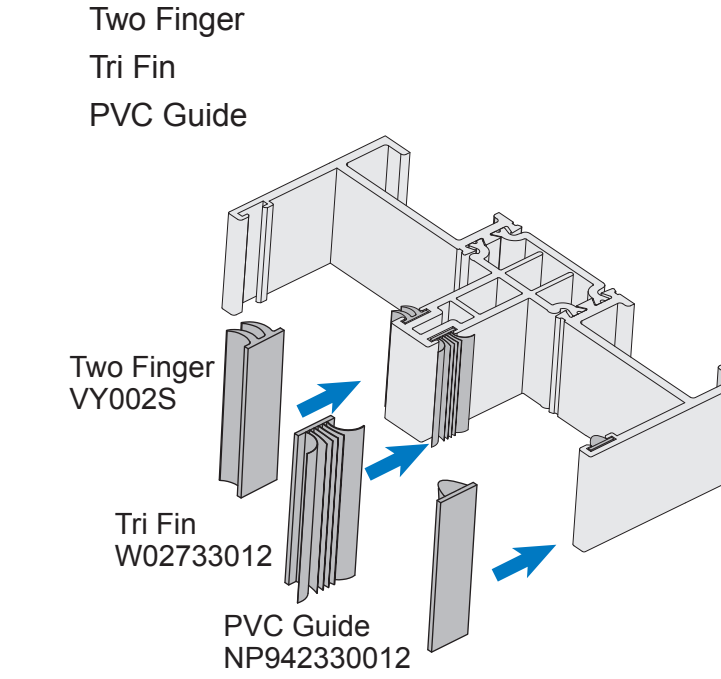


Lock Jamb DT016

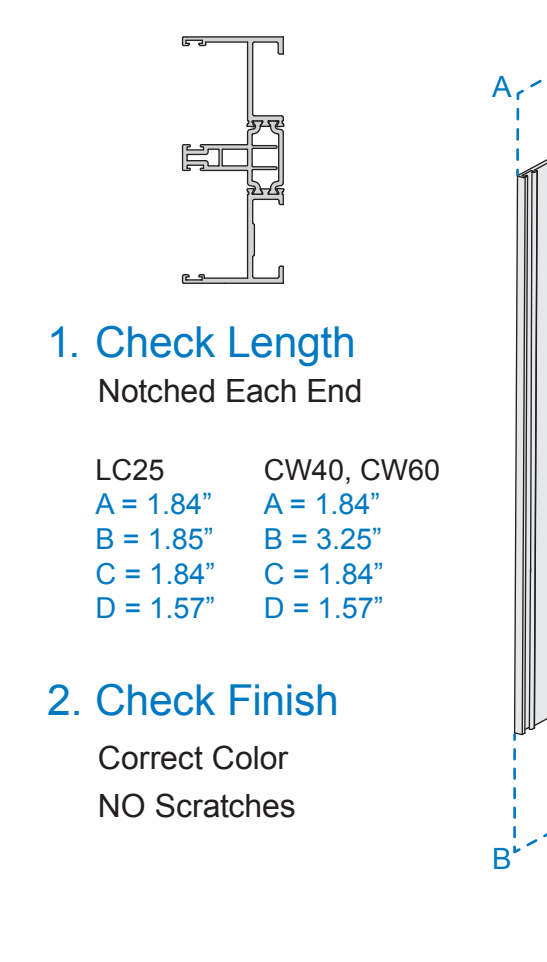


1. Check Length
Notched Each End
LC25 CW40, CW60
A = 1.84" A = 1.84"
B = 1.57" B = 1.57"
C = 1.84" C = 1.84"
D = 1.85" D = 3.25"
2. Check Finish
Correct Color
NO Scratches

3. Install Guides

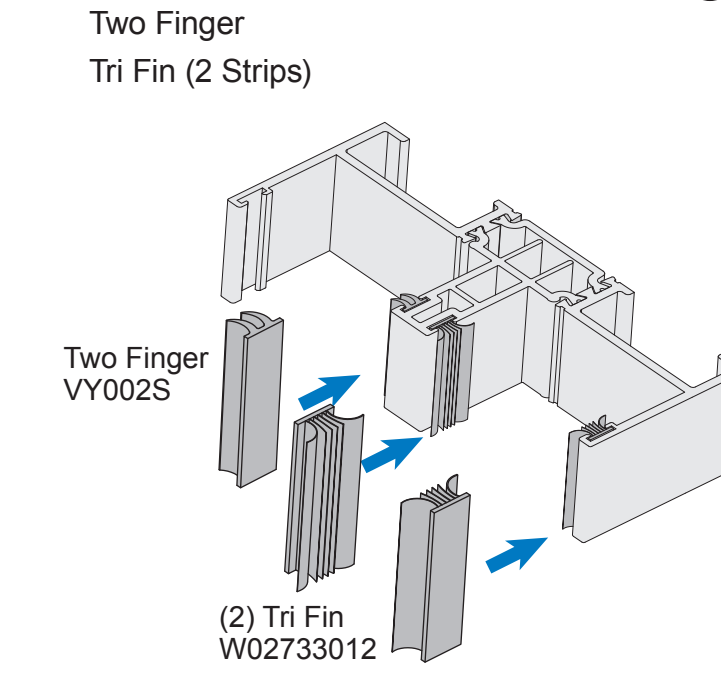


Fixed Jamb DT016

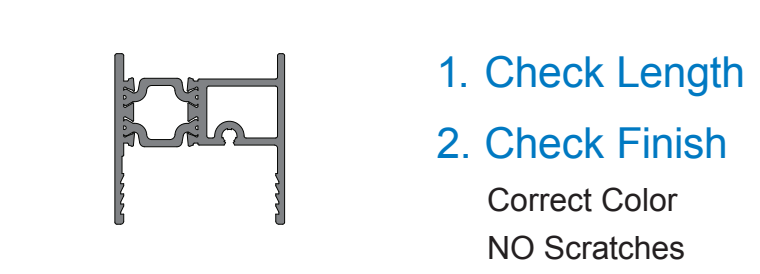


1. Check Length
Notched Each End
LC25 CW40, CW60
A = 1.84" A = 1.84"
B = 1.85" B = 3.25"
C = 1.84" C = 1.84"
D = 1.57" D = 1.57"
2. Check Finish
Correct Color
NO Scratches

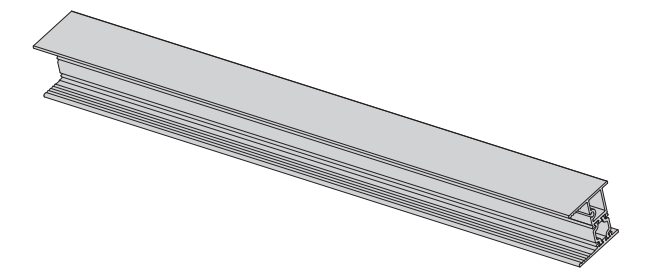
3. Install Guides



Fixed Top Rail DT002 / Vent Top Rail DT002

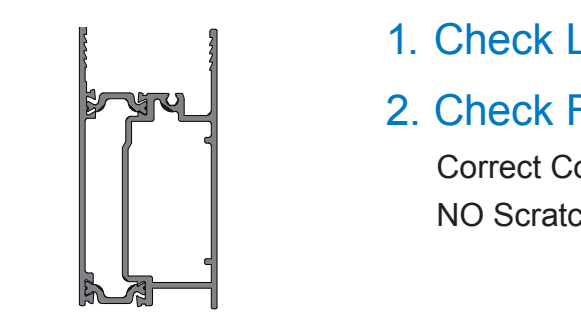


1. Check Length
2. Check Finish
Correct Color
NO Scratches

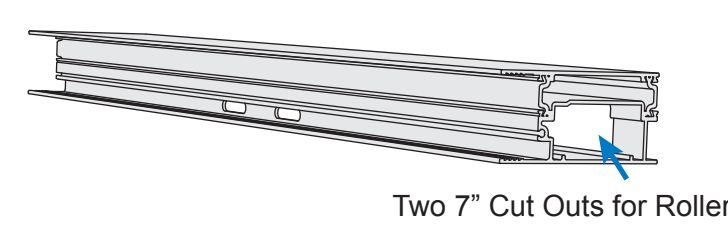


LC25 Vent Bottom Rail DT023

Bottom Rail LC25 (1-13/16" Rollers)

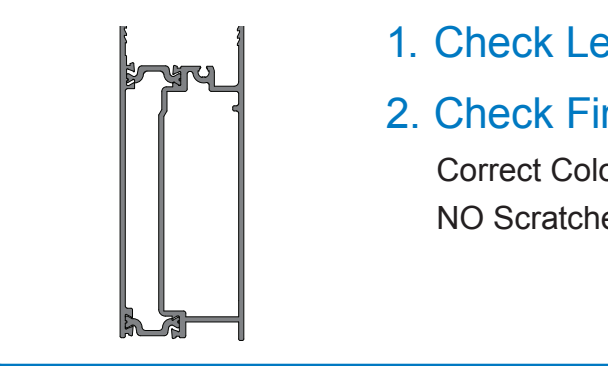


1. Check Length
2. Check Finish
Correct Color
NO Scratches

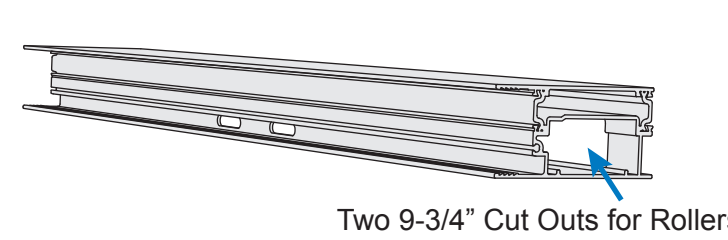


CW40, CW60 Vent Bottom Rail DT051

Bottom Rail CW40, CW60 (3" Rollers)



1. Check Length
2. Check Finish
Correct Color
NO Scratches



Screen Doors

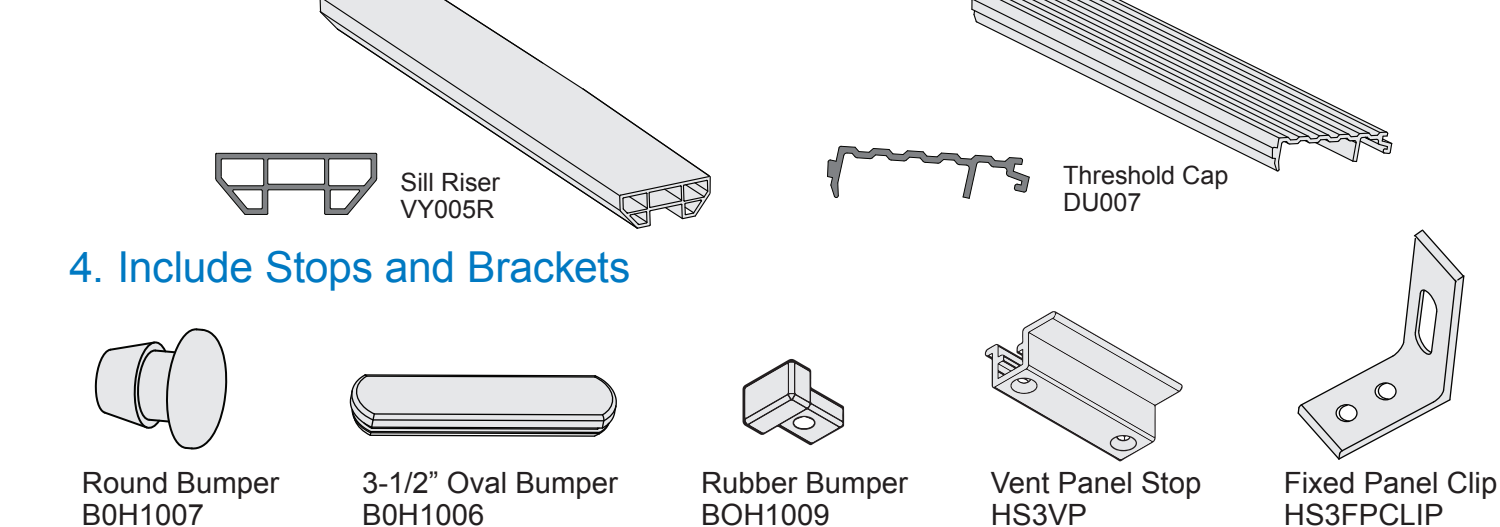
1. Check Dimensions
2. Check Finish
Correct Color
NO Scratches

3. Check Screen
Damaged Mesh
Correct Tension

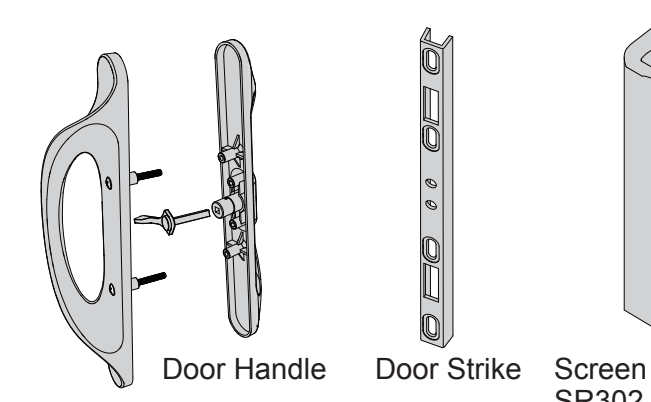
Packing

1. Check Packing List
2. Include Installation Manual
3000 Series Manual_Rev_A
11M0162_Rev_A_3000
3. Include Screws

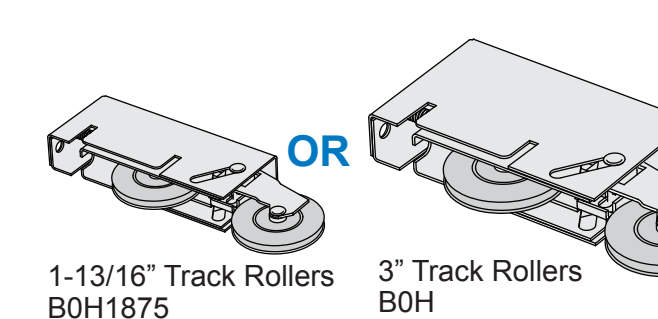
4. Check Riser and Threshold
Length Matches Sill
Finish



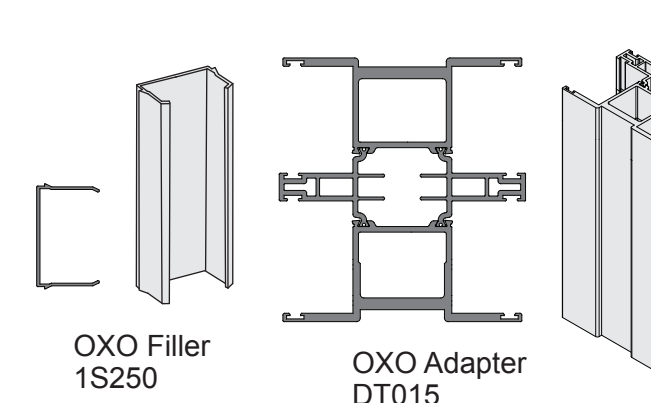
5. Include Handles and Strikes



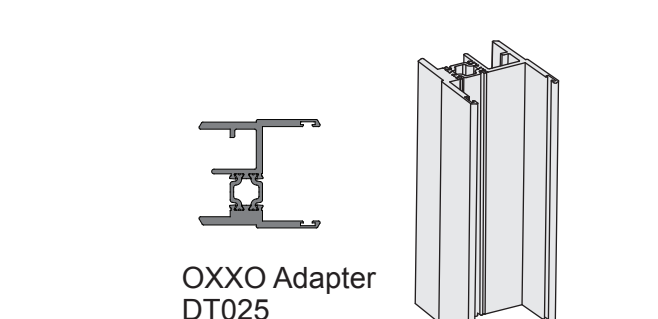
6. Include Track Rollers



7. For OXO: Include Adaptors



8. For OXXO: Include Adaptor



10. Include Glazing Gaskets

